



典型性能 Features

- ◆宽电压输入范围 (Wide Range Input)
- ◆接线端子出线方式 (Outlet Terminals)
- ◆安装方便 (Easy Installation)

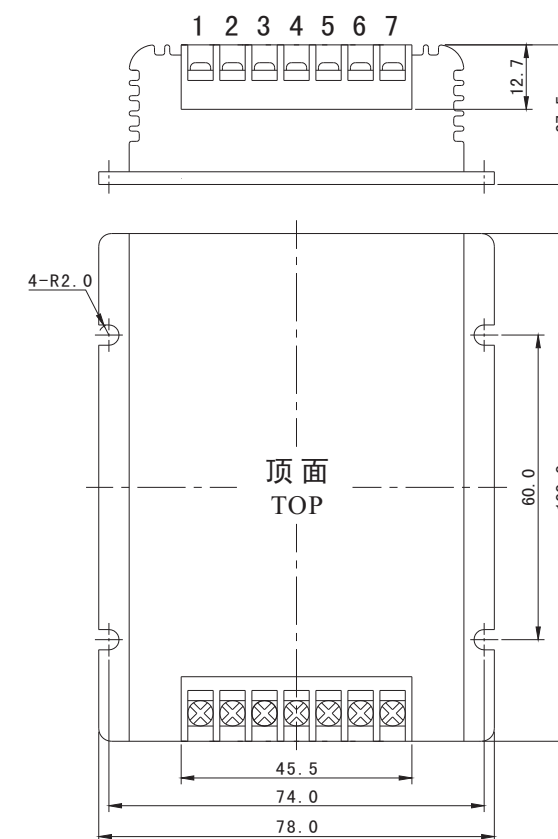
电气特性 Electrical Specifications

输入特性 Input	Min	Type	Max	Notes
输入电压 Vdc Input Voltage	9 18 36 66	12 24 48 110	18 36 75 160	
遥控 Control		On		CNT Pin left open or connect to +Vin
		Off		CNT Pin connect to -Vin
输出特性 Output	Min	Type	Max	Notes
输出电压精度 Setpoint Accuracy			±1.0%	
源效应 Line Regulation			±1.0%	
负载效应 Load Regulation			±1.0%	
温度系数 Temperature Regulation			±0.02%/°C	
电压调节 Trim Range			±10% Vo1	
纹波与噪声 Ripple and Noise			50mVp-p 100mVp-p 200mVp-p	Vo≤5Vdc Other Vo≥48Vdc
瞬态响应 Dynamic Response			±4%VoPkdeviatin 400µs Settling time	50~25% load 50~75%load
一般特性 General	Min	Type	Max	Notes
开关频率 Switching Frequency		300KHz		
绝缘强度 Insulation Intensity			1500Vdc 1500Vdc 500Vdc	Input-Output Input-Case Output-Case
平均故障间隔时间 MTBF		5×10 ⁵ Hrs		Mil HDBK 217F Tc=25°C
工作环境温度范围 Case Temperature Range	工业级	-25°C	+85°C	
	军用级AB	-40°C	+90°C	
	军用级CD	-55°C	+100°C	
储存温度 Storage Temperature	-55°C		+105°C	

型号 Model	输出电压 (Vdc) Output Voltage	输出电流 (A) Output Current	典型效率 (%) Type Efficiency
WCD30-□S5	5.05	6	82%
WCD30-□S12	12	2.5	83%
WCD30-□S24	24	1.25	84%
WCD30-□S48	48	0.63	84%
WCD50-□S5	5.05	10	84%
WCD50-□S12	12	4.17	85%
WCD50-□S24	24	2.08	85%
WCD50-□S48	48	1.04	85%
WCD75-□S5M	5.05	15	83%
WCD75-□S12M	12	6.25	85%
WCD75-□S24M	24	3.12	86%
WCD75-□S48M	48	1.56	87%

注：□代表所需输入电压Input Voltage

机械图及管脚说明 (Mechanical Chart, Pins) (Unit : mm/ inch)



管脚 Pin	1	2	3	4	5	6	7
功能 Function	+VIN	-VIN	CNT	NC	TRIM	-Vo	+Vo